

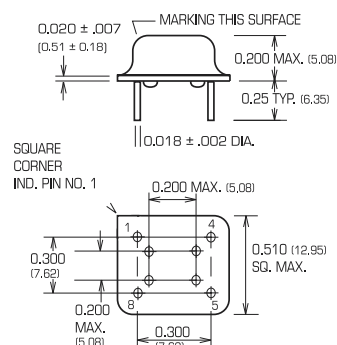
MODEL 720
8 kHz – 65 MHz TTL Oscillator

4 Pin 1/2 DIP Package
Optional Enable

Frequency Range	Input Current @ 5.25 V mA	Rise & Fall Time (.8 & 2.0 V) ns	Duty Cycle @ 1.4 V	Unit Loads (max.)
8.0 kHz to 12.0 MHz	20	10	45 to 55	10 TTL
>12.0 MHz to 20.0 MHz	20	5	40 to 60	10 TTL
>20.0 MHz to 65.0 MHz	40	5	40 to 60	10 TTL

PIN CONNECTIONS

- 1 – Enable/Disable or N/C
- 4 – GND/Case
- 5 – Output
- 8 – VCC
- All Others N/C



MODEL 724
1 Hz – 65 MHz TTL Oscillator

4 Pin DIP Package

Frequency Range	Input Current @ 5.25 V mA	Rise & Fall Time (.8 & 2.0 V) ns	Duty Cycle @ 1.4 V	Unit Loads (max.)
1.0 Hz to 12.0 MHz	30	15	45 to 55	10 TTL
>12.0 MHz to 24.0 MHz	30	5	40 to 60	10 TTL
>24.0 MHz to 65.0 MHz	40	5	40 to 60	6 TTL

PIN CONNECTIONS

- 7 – GND/Case
- 8 – Output
- 14 – VCC
- All Others N/C

